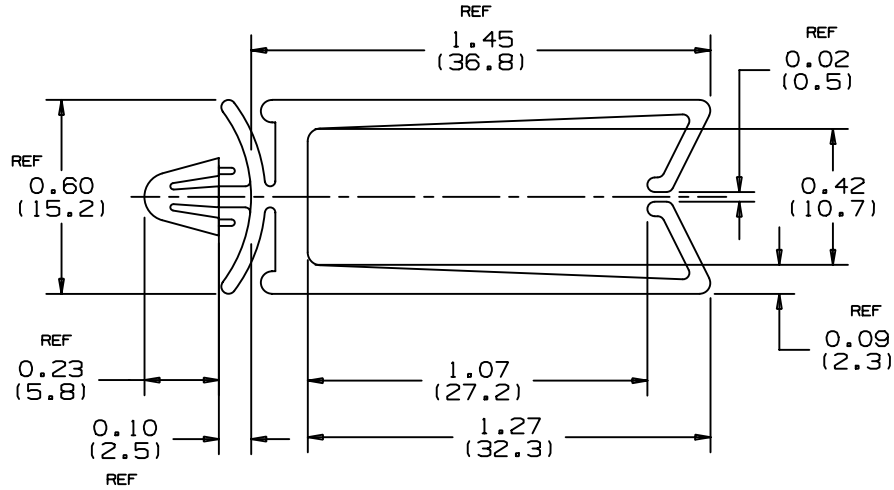
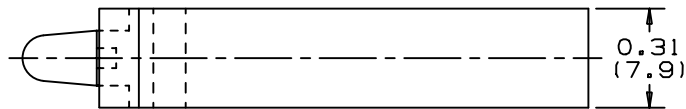


THIS COPY IS PROVIDED ON A RESTRICTED BASIS AND IS NOT TO BE USED IN ANY WAY DETRIMENTAL TO THE INTERESTS OF PANDUIT CORP.



PANDUIT PART NUMBER	MAXIMUM CABLE DIAMETER	PANEL DIMENSIONS		WEIGHT LBS./100 PCS. (g)
		THICKNESS	HOLE SIZE	
VWS42105	0.42 (10.7)	0.03/0.08 (0.8/2.0)	0.187/0.192 (4.7/4.9)	0.38 (174)



NOTE:

- SEE CURRENT PRICE SHEET FOR PART NUMBER SUFFIX DESIGNATION FOR PACKAGE SIZE AND PART COLOR.

(DIMENSIONS IN PARENTHESES ARE METRIC)  
CAD FILENAME/LAYERS G00239JD\_VWS42105\_00

**PANDUIT** CORP. TINLEY PARK, ILLINOIS

VERTICAL WIRE SADDLE  
VWS42105

UNLESS OTHERWISE SPECIFIED, DIMENSIONAL TOLERANCES ARE:  
(.X) ± N/A (.XXX) ± .010 (.25)  
(.XX) ± .02 (.5) ANGLES ± N/A

UNLESS OTHERWISE SPECIFIED, ALL DIMENSIONS ARE GIVEN IN INCHES, THIRD ANGLE PROJECTION.

DRAWN BY LGG	MAT'L: NYLON 6/6	SCALE 2/1
DATE 03-13-02		DRAWING NO. GB0239JD
CHK'D		DWG SIZE A

REV	DATE	BY	CHK	DESCRIPTION	ECN	R	CUST	SUP
R	3-13-02	LGG		REPLACED G-00847 UPDATED W/ REF'S	GB0239JD	R		